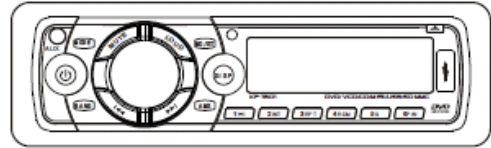


KF-7601

INSTRUCTION MANUAL

KF-7601



DVD
VIDEO

CD-R/RW

COMPACT
DISC
DIGITAL AUDIO

Installation & Operating Instructions

INSTALLATION NOTES

PRIOR TO INSTALLATION remove the two silver (or gold) coloured screws in the top of the unit, either side of the speaker wiring diagram

TO FIT THE FRONT PANEL Holding the panel horizontal, locate the right side pin first, then the left side pin. Put the panel in the vertical position and ensure it locks into place

REMOVE THE PLASTIC INSULATOR FROM THE REMOTE BATTERY HOLDER

To insert a disc or SD card, release the front panel by pressing on the small black button on the right side of the front panel, above the USB slot.

The disc eject button is also located behind the front panel

This unit is designed for 12volt **NEGATIVE ground systems only**

See page 11 for a guide to the physical installation of the unit
It is strongly recommended that a trained technician install the unit
Refer to warranty requirements for installation of a new unit
If care is taken and secure connections are made, no problems should occur

DO NOT connect any speaker leads to a metal chassis

DO NOT connect any speaker leads to other speaker leads.
Each lead must only be connected to it's respective speaker.
Negative speaker leads should not be all connected together

Connect all other leads before connecting the power leads

If the YELLOW power wire cannot be connected to a permanent 12v source, join it to the RED lead, and connect both to a switched 12 volt power source.
However when power is removed, any memory storage, eg preset radio stations, clock setting, will be lost and will need to be re-programmed (if required) each time the unit is turned on

AUDIO IN can be used to input another audio source, such as an MP3 player. The front panel socket requires a 3.5mm stereo phono plug. Use a lead with this type of plug on one end, and a suitable plug on the other end to match your audio device. Select AUX on the mode button

AUDIO OUT is at line level, and can be fed to another amplifier
Audio Out is available through the Red and White RCA leads on the rear

Connect a Composite Monitor or TV via a quality video cable to the YELLOW lead on the rear

When the unit is first installed a **RESET may be required**. Connect and operate the unit first.
If any functions do not operate or the display is not correct, carry out a reset.

Ensure power is connected to the unit. The **RESET** button is behind the faceplate.

To remove the faceplate, first press the **POWER** button to turn the unit off, then press the small black button just above the USB slot to open the front panel

Looking at the unit from the front, slide the faceplate to the right then gently remove at the left hand side. The reset button is in the small hole 12mm to the right of the red flashing light.

Depress using a biro or similar. A distinct click should be heard when the button is depressed

SETUP FUNCTIONS

Assumes you are connected to a TV or Composite Monitor

This set-up is not normally necessary, but does allow custom settings

Read the installation instructions and complete all necessary steps first

References in this manual such as 'Press for >2 seconds' mean the button in question should be pressed for at least 2 seconds.

Reference '<1 second' mean press the button for a maximum of 1 second

USE THE REMOTE CONTROL TO PERFORM SETUP

To perform initial set-up of DVD playing, insert a disc in the drive and press the **MODE** button (if necessary) to select DISC MODE. The monitor (TV) screen display may be in black and white. This is of no concern at this point.

If the disc begins playing, press [>|| M1] on the remote for >2 seconds and release.

Repeat the procedure i.e. press [>|| M1] again for >2 seconds and release

NOW THE SETUP CAN PROCEED

On the Remote, press the **BAND/SETUP** key. The SET-UP screen will be displayed, and the first ICON (picture) along the top will be preselected

Using the **DOWN ARROW** key on the remote, scroll down to the heading required, eg **TV system**, which will then be highlighted

Use the **RIGHT and DOWN ARROW** keys to select the correct entry

Press **ENTER**

Scroll down to the next line and repeat the above

When all entries in the selection are completed, scroll down PAST the LAST ENTRY until the first icon along the top of the screen is selected again

Use the **RIGHT ARROW** key to move to the second icon. All options under this icon are now available for selection, changing if necessary in the same manner as the first

Repeat these procedures for all icons along the top of the screen

When finished, press the **BAND/SETUP** KEY again to exit

NOTES:

1/ For NZ TV system set to PAL

2/ Older screens are 4:3. Set to 4:3PS. Newer wide screen format is 16:9

3/ It is recommended to set Autoplay to OFF

4/ Set AUDIO OUT setting to SPDIF/OFF.

S-PDIF RAW or S-PDIF PCM facility is not fitted on this model

5/ The RF REMOD function is not fitted on this model



FRONT PANEL CONTROL FUNCTIONS

⏻ Turn the unit ON or OFF

VOLUME KNOB

Press to select which function is controlled by the volume knob

Volume - Bass - Treble - Balance - Fader

Volume - Balance - Fader if an equaliser setting has been chosen

MUTE

Mutes all sound. Press again to restore normal sound

EQ

Short Press selects in turn the Pop - Classic - Rock - Custom Equaliser settings

Custom allows the normal operation of the Bass and Treble controls

>>| (seek)

Tuner Press for 1 second and the Tuner will increment up 9KHZ steps per press for the AM bands, and 100KHZ per press for the FM bands.

Press for >2 seconds, the tuner will search for and stop on the first station found

Disc/Card Press for 1 second and the DVD will step to the next scene

Note that not all DVD's will allow stepping to a next scene

A CD will step to the next track

A CARD will step to the next photo

Press for >2 seconds and a disc will go to Fast Forward x2

On subsequent pressing (>2 secs), the disc will go to Fast Forward x4, X8, x20

To stop Fast Forward at anytime, press the opposite |<< button

Note these Fast Forward functions do not operate in Card reading mode

|<< As Forward Seek, but all functions increment backwards

MODE

Selects TUNER - DISC - USB - AUX IN - CARD Play Function

MO/ST

Selects mono or stereo sound when using the FM radio band

AMS

Press for >2 seconds, and the Tuner will automatically scan either the 3 FM bands, or the 2 AM bands (whichever is currently selected) and store stations in the presets (1 to 6) in order of lowest to highest frequency

Once the presets have been set using AMS, a 1 second press on the AMS button will start the tuner sequentially cycling through all the stations found. To stop on the desired station press the relevant button 1 to 6

BAND

Tuner sequentially selects the radio frequency bands FM1 – FM2 – FM3 – AM1 – AM2

DISP

Select Clock display. Press again to revert to previous display, or wait 6 seconds and display will automatically revert

BUTTONS 1 TO 6

Tuner

Select preset stations. To store stations manually, first use the >>| or |<< buttons to select the desired frequency

Then press and hold the required store location number button for >1 sec.

Disc

Button 1 - Pressing whilst playing will pause play, press again to resume play

Button 2 - Each track will be played for 10 seconds (intro mode)

Button 3 - First press repeat current track, second press repeat all tracks, third press off

Button 4 - Tracks will be played at random

Button 5 - Select Mono or Stereo audio output

Button 6 - Select TV/Video output type sequentially: AUTO, NTSC, PAL. (Set to PAL or AUTO)

SD CARD OPERATION

Insert the SD card fully into the small slot behind the front face. The card only fits one way, and a slight click will be heard. CARD mode will automatically be selected. Select music tracks using the various controls as for a CD. Select the desired photo using the ARROW keys, and press ENTER to enlarge the display. The ARROW keys can now rotate or reverse the photos. See the ZOOM and SEEK key instructions for further operation

Remove the card by gently pushing inwards. A click will be heard and the card will eject enough to be manually removed

USB

For direct connection and playback of a USB device, eg iPod, Flashdrive (thumbdrive)

Music must be recorded on to the device in MP3 or WMA format

CLOCK SETTING

Press **DISP** for < 1 second, the clock function will be displayed

Press **DISP** again, and hold for > 2 seconds, now the hour display will flash

Turn the **VOLUME KNOB** to set the correct hour

Press **DISP** again for < 1 second, and the minutes display will flash. Adjust as above

Press the **VOLUME KNOB** to store the clock settings

LOUDNESS CONTROL

When using the Radio, press the **BAND** Switch for > 2 seconds

When playing a disc, press the **BAND** switch for < 1 second



MUTE

Silence all sound. Press again to restore normal sound

MODE

Selects Tuner - Disc - USB - AUX In - CARD play

BAND/SETUP

Select radio band or enter DVD player set-up mode

P-EQ/LOUD

Short press to select equaliser settings

Long press to turn Loudness Control on or off

MO/ST

Select Mono or Stereo playback, only when using Tuner

LOC/DX

Select local or distant radio reception. FM bands only

DISP

Select Normal or Clock display

AUDIO/NP

Select Mono or Stereo output when in disc mode only



AMS/SLOW

Tuner - For station scanning. See AMS instructions in the Front Panel Control instructions

CD - No Function

DVD - Slow the movie playback. Press to step through speeds of 1/2, 1/3, 1/4, 1/5, 1/6, 1/7

ANGLE

Select camera viewing angle, if DVD movie has that facility

OSD

Enable the On-Screen display, (TV or Monitor) showing tracks, chapters, time played etc

SEEK >>I or SEEK I<<

Refer to the Seek buttons section in the Front Panel Control instructions

ZOOM

Tuner and CD no function

DVD/CARD - Zoom scene in or out by continual pressing. Steps x2, x3, x4, or 1/2, 1/3, 1/4

SEL

Select the function that the VOL- and VOL+ keys control

Select Volume, Bass, Treble, Balance, Fader

Selection will default back to Volume after 5 seconds

VOL- and VOL+

To adjust the selection made with the SEL key. Defaults back to Volume after 5 seconds



PROG

Disc - Refer to the separate disc programming instructions on page 3

Card- Changes the way photos are displayed on the sequential play screen

Press to step through the many effect options which include Blind, Wipe, Diagonal, Random

If you press PBC/M5 first, then PROG, you can select just the photos you want displayed

Now press PROG and the display effect options will again be displayed

GOTO

Tuner - No function

Disc/Card - The on-screen display will show available titles (episodes) and chapters (scenes)

Make the required selection by using the 0 to 9 keys, then press ENTER

NUMERIC KEYS 0 TO 9

Used to select scenes (DVD), tracks (CD) or photos (CARD) or with GOTO and PROG keys

>II / M1

Tuner - Select station memory channel 1

Disc - Press for <1 second pauses the playing of a Disc or Card. Press again to resume

Press for >2 seconds, pre-stop. Press again for >2 seconds and disc stopped.

SCAN/M2

Tuner - Select station memory channel 2

Disc - No function

REP/M3

Tuner - Select station memory channel 3

Disc - Step through repeat Chapter (scene or track), Title (episode or all tracks), or no repeat



REP/M3

Tuner - Select station memory channel 3

Disc - Step through repeat Chapter (scene or track), Title (episode or all tracks), or no repeat

RDM/M4

Tuner - Select station memory channel 4

Disc - Tracks are selected by the unit at random for playback

PBC/M5

Tuner - Select station memory channel 5

Disc - DVD only, selects menu play.

That is, returns the viewer back to the disc main menu

When playing is under way, pressing this key stops play.

Card- Stops sequential play, and displays the full directory of all photos on the card

SUB-T/M6

Tuner - Select station memory channel 6

Disc - Display sub-titles on screen, if the disc supports sub-titles

ARROW KEYS

Tuner - No function

Disc - Used to position the screen cursor when making selections in SETUP or PROG modes, and selecting from the main start menu of a DVD or Photo Card.

ENTER

Tuner - No function

Disc - To confirm a selection made by the use of the ARROW keys

FM TUNER SECTION

Tuning Range	87.5 to 108 MHz
IF Frequency	10.7 MHz
Useable Sensitivity	12dB μ
Signal to Noise Ratio	60dB
Stereo Separation	30dB @ 1 KHz
Frequency Response	30Hz to 15KHz

AM TUNER SECTION

Frequency Range	522KHz to 1620 KHz
IF Frequency	450KHz
Useable Sensitivity(-20dB)	32 dB μ

AUDIO SECTION

Line Output Level	1.2 VRMS
Frequency Response	20Hz to 20KHz
Signal to Noise Ratio	60dB
Stereo Separation	50dB

VIDEO SECTION

Video System	4:3 and 16:9 formats
Video Output Level	1.0V p-p 75 Ohms
Horizontal Resolution	500 Lines

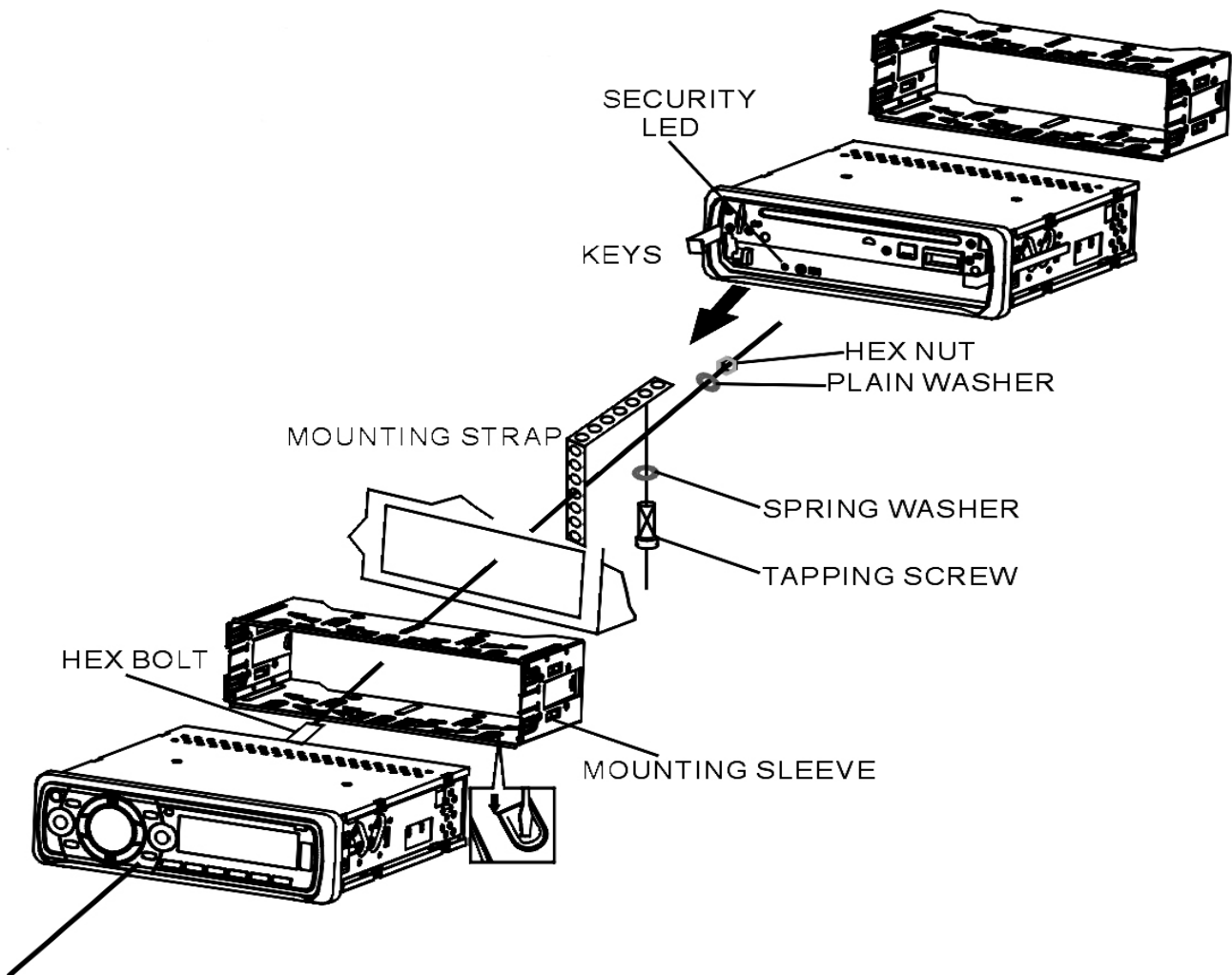
DVD DECK SYSTEM

Disc Played	DVD, MPEG4, VCD, MP3, WMA,CD, CD-R/RW, SD
Video System	NTSC, PAL, AUTO
Mounting Angle	0° + - 30°

GENERAL

Power Requirements	11 to 15 VDC Negative Ground
Maximum Power Output	40W x 4 Max
Tone Controls	+ - 8dB (Bass 100Hz, Treble 10KHz)
Speaker Impedance	4 Ohms
Temperature Range	-20° to +60°

REMOTE BATTERY CR2025, Avail. at Jaycar, Dick Smith, Most Electrical stores



Remove the black plastic trim ring surrounding the front panel. Use a small screwdriver to gently pry it off. Be careful not to scratch or break it.

Remove the mounting sleeve from the radio by inserting the supplied keys down each side between the sleeve and the radio, and then sliding the sleeve off the rear of the radio.

Decide on a suitable mounting position, being careful to ensure adequate clearance behind the bulkhead for the unit, rear connecting cables and the rear mounting support strap. Cut a rectangular hole, exactly the dimensions of the mounting sleeve body (not the dimensions of the front edge flange: this needs to fit flush against the outside of the bulkhead). Slide the sleeve into the hole you have cut, and bend any suitable tabs up against the inside face of the bulkhead. Try to get at least 1 each side and 1 at the top edge.

Connect all vehicle/boat wiring to the supplied radio harness's, and a proper coaxial lead from an antenna to the antenna socket. If you have a steel or aluminium boat or motor home you will require an external aerial, as the metal bodywork is an effective shield of radio waves. It is usually to ensure that all your cables are sufficient length to bring them out through the bulkhead cut-out, where they can be easily plugged into the rear of the radio.

Connect the plugs to the rear of the radio. The power and speaker harness's will only fit to their correct respective sockets, and will only insert the correct way.

With all cables connected to the radio, slide it into the sleeve, and replace the trim ring.

Bend the supplied multi-hole mounting strap into a suitable shape to allow it to be attached to the stud on the rear of the radio, and to a nearby mounting surface with a suitable fastener.

Keep the removal keys in a safe place, as they make later removal of the radio simple.

NOTES

In many countries (incl. NZ) the AM broadcast band is divided into 9 KHz segments. The USA still use 10KHz segments. If you intend using this radio in the USA please contact Cruising Electronics for information re changing the setting to 10KHz

Manufacturers specifications as given may change at any time, due to design changes and improvements

Provided that this unit is installed by a Certified Installer, a warranty of 12 months from the date of purchase shall apply.

***Cruising Electronics will either
(at it's sole discretion)***

Repair, Replace or Refund, should any defect arise resulting from faulty manufacture.

The Warranty does not cover failure or damage caused by faulty installation, misuse, exposure to liquids or other harmful substances, or any consequential damage or loss. The purchaser will be responsible for the cost and security of returning a faulty unit to Cruising Electronics or their Agent. Cruising Electronics will pay for return carriage.

Proof of purchase will be required.

Cruising Electronics

don@cruisingelectronics.com

P.O. Box 14290 Tauranga

+64 27 255 2852

027 2552852